



## DOPAK® Sample Bottle Adapter for liquid samplers



The sample bottle adapter (SBA) for Dopak liquid samplers offers zero emission during the filling of the bottle. The SBA ensures an advanced way of sampling without the need to use a needle assembly and a bottle with cap and septum.

The SBA for Dopak liquid samplers improves safety in the widest sense:

- Local spillage can be avoided
- Volatile substances should not escape into the atmosphere during filling of the bottle
- Vent gases can be vented through a special vent connection

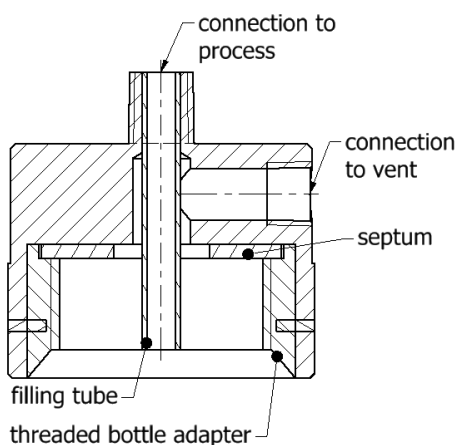
### Basic Specifications

Material	: SS316L, Polypropylene.
Filling tube	: 6 mm.
Connections	: 1/4" NPT.
Bottle necksize	: PP25, PP28, PP36, GL32, GL45.

### Features / Options

- PTFE coated rubber bottle seal during filling
- PP threaded insert for smooth bottle guidance
- Optional carbon filter on vent outlet
- Independent of bottle volume
- Other bottle neck sizes are possible

For more information you can contact our Sales Departments in Bergschenhoek, the Netherlands, or Houston, TX, USA or one of our local distributors.



**Dopak Inc.**  
Houston, Texas 77041, USA  
Phone 713-460-8311  
E-mail [info-dopak@cranecpe.com](mailto:info-dopak@cranecpe.com)

**Dovianus B.V.**  
Bergschenhoek, The Netherlands  
Phone +31 10 524 20 00  
E-mail [dopak@cranecpe.com](mailto:dopak@cranecpe.com)

[www.dopak.com](http://www.dopak.com)

