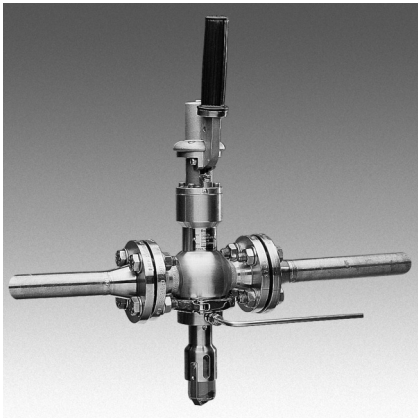
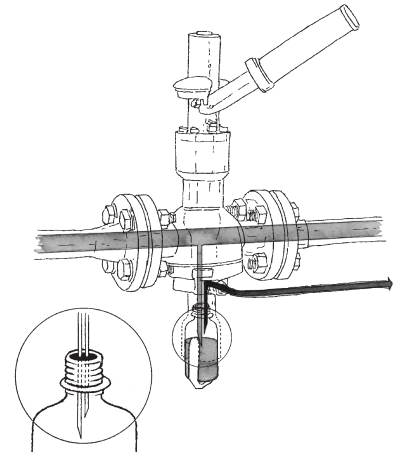


**DOPAK® Process Sampler Type DPT**

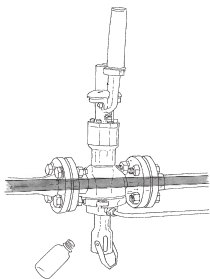
in line, on/off configuration



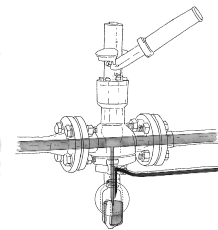
The ability to install the sampler directly in the process line ensures optimal retrieval of a representative, contamination free sample. The DPT type of sampler in on/off configuration allows the product to flow directly into the sampler via an in line sample valve.



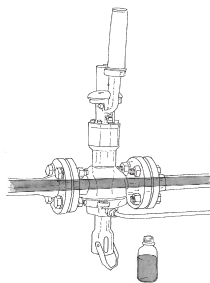
**1 OPERATION/FUNCTION**



**0 - off**  
Provide a new septum on your sample bottle. Insert the bottle, with cap and septum into the sleeve until the septum is pierced by the needles. Put the bottle retaining clip in place.

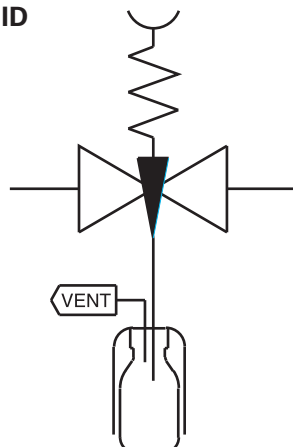


**1 - sample**  
Pull the handle to the "sample" position, allowing the product to flow into the sample bottle. When the required amount has been taken, release the handle. The valve will close automatically.



**2 - off**  
Remove the bottle retaining clip and pull the bottle out from the sleeve. The septum reseals automatically.

**2 TYPICAL P & ID**



### 3 FEATURES/ADVANTAGES/PROPERTIES

- Sampling directly under process conditions
- Low pressure application
- Representative sampling
- Zero dead volume
- Closed sampling

### 4 BASIC SPECIFICATIONS

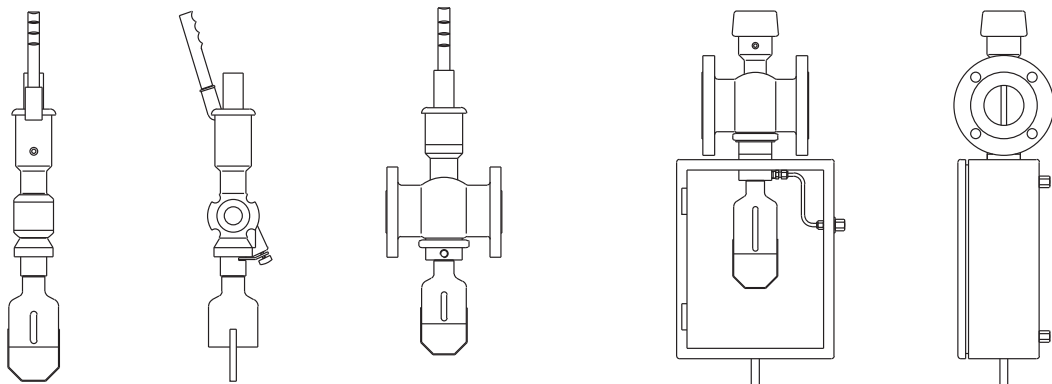
<b>Material</b>	SS316, SS316L.	
<b>Sleeve Type</b>	60cc sleeve with bottle retaining clip.	
<b>Needle Assembly</b>	Single piece VTO needle assembly with vent to outlet connection 1/4" FNPT. Process/vent needle ID: 1.35 mm.	
<b>Valve</b>	Inline valve. PTFE seats Viton A O-ring. Pressure range 16 bar @ 20°C (232 psig @ 70°F). Temperature range -40/+200°C (-40/+392°F).	
<b>Operation</b>	Spring return.	
<b>Connections</b>	1" - 150lbs RF ANSI B16.5 flanges.	

**Please note:** the above is a basic specification only. DOPAK® Samplers can be offered with a wide variety of options as mentioned below.

### 5 OPTIONS

- Lockable handle
- Enclosure
- Steam sterilising cap
- Welded connection
- Bottle or needle purge
- Wafer style valve
- Exotic materials
- Larger/smaller sample size
- Spindle extension
- Bellow seals
- PFA lined valve
- Steam jacket

For more information please refer to our sheets:  
**Options for DOPAK® process sampler type DPT.**  
**Components for DOPAK® process samplers.**



**Dopak Inc.**  
Houston, Texas 77041, USA  
Phone 713-460-8311  
Fax 713-460-8578  
E-mail info@dopak.com

**Dovianus BV**  
Bergschenhoek, The Netherlands  
Phone +31 10 542 20 00  
Fax +31 10 456 67 74  
E-mail info@dopak.nl

**Your local representative:**