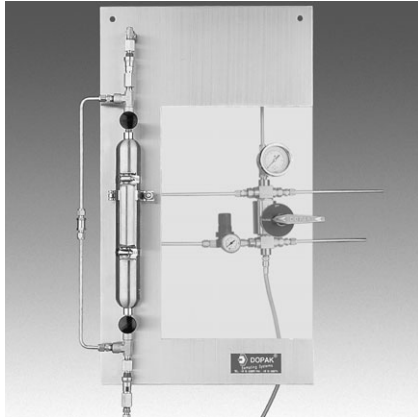
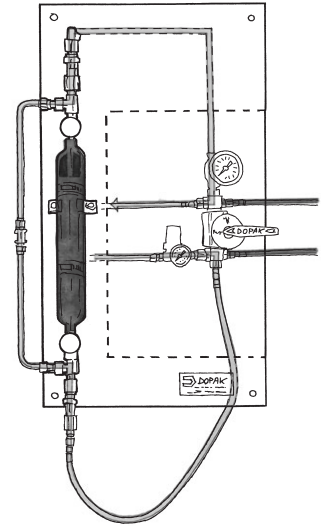


DOPAK® Process Sampler Type S32-LG

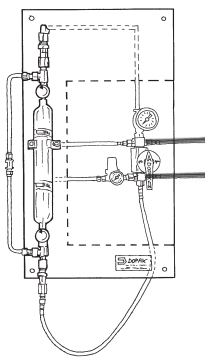
outage tube with bypass purge cylinder configuration



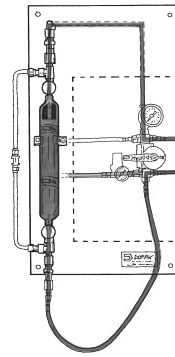
The ability to purge the sample point ensures optimal retrieval of a representative, contamination free sample. The S32-LG type samplers in bypass purge cylinder configuration provide a system purge in addition to sampling in a sample cylinder with predefined filling rate. The predefined filling rate is achieved by using an outage tube. This system is equipped with a purge facility to enable purging of the sampling cylinder connections with an inert gas. The unique design offers a one-handle operation by multiple valves. These features provide sample accuracy and safety.



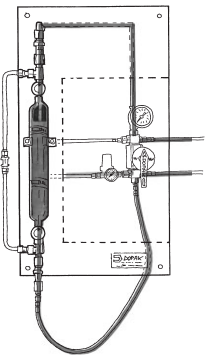
1 OPERATION/FUNCTION



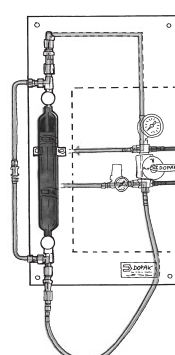
0 - off
Install the sample cylinder and connect the flexible hose to the bottom side of the sample cylinder. Open the needle valves on the sample cylinder.



1 - system purge
Turn the handle to the "process" position, allowing the sample cylinder to be filled. To ensure representative sampling, this position can be held for any required time.

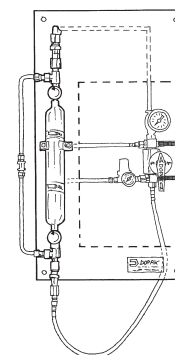
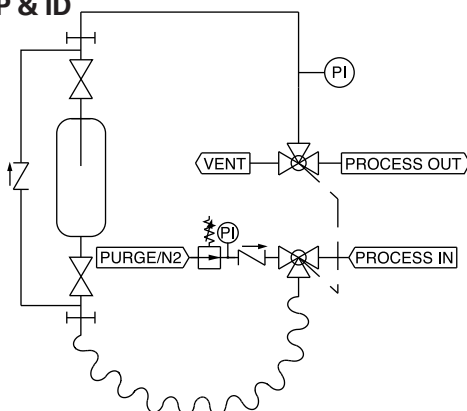


2 - off
Turn the handle to the "off" position. Close the two needle valves on the sample cylinder.



3 - purge
Turn the handle to the "purge" position. The internal connection between the sample cylinder and the purge connection has now been made. The sample cylinder connections are being purged with an inert gas to the vent connection.

2 TYPICAL P & ID



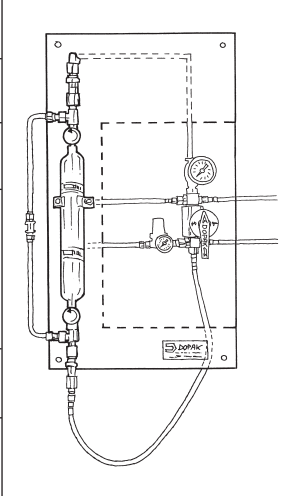
4 - off
Turn the handle to the "off" position. Disconnect the flexible hose. Remove the sample cylinder and connect the flexible hose to the top quick connect.



3 FEATURES/ADVANTAGES/PROPERTIES

- | | |
|--|---|
| <input type="checkbox"/> Sampling in cylinder with predefined filling rate | <input type="checkbox"/> Fixed volume sampling |
| <input type="checkbox"/> Representative sampling | <input type="checkbox"/> Purging of sampler |
| <input type="checkbox"/> Zero dead volume | <input type="checkbox"/> Purging of quick connect couplings |
| <input type="checkbox"/> Closed sampling | <input type="checkbox"/> No direct connection between vent line and process lines |
| <input type="checkbox"/> One-handle operation of multiple valves | |

4 BASIC SPECIFICATIONS

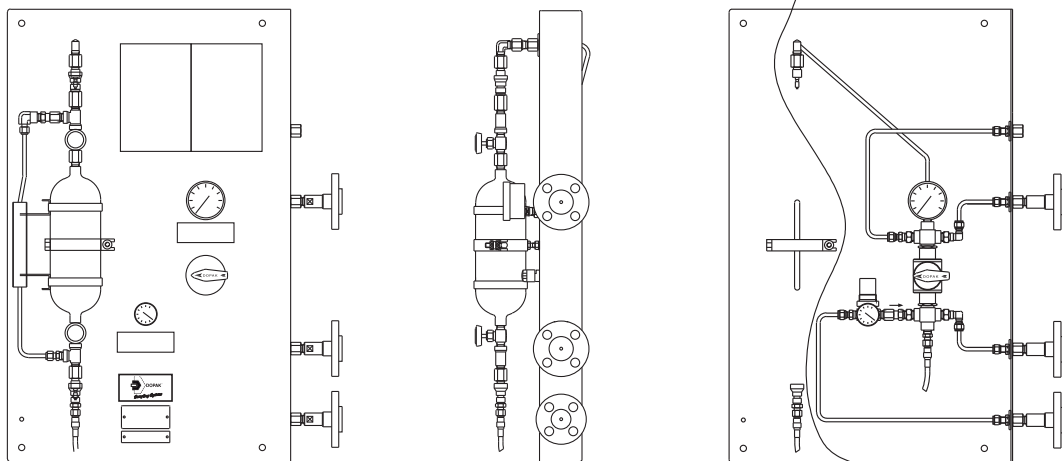
Material	SS316, SS316L.	
Cylinder Type	500cc cylinder.	
Outage Tube	Suited for 85% filling of sample cylinder.	
Valve	Three-way ball valve type W83. PTFE seats, Viton A O-rings. Pressure range 103 bar @ 20°C (1500 psig @ 70°F). Temperature range -17°C/+232°C (0°F/+450°F).	
Operation	Manual.	
Connections	1/4" FNPT, regulator, pressure gauge and check valve included.	

Please note: the above is a basic specification only. Dopak Samplers can be offered with a wide variety of options as mentioned below.

5 OPTIONS

- | | |
|---|---|
| <input type="checkbox"/> Spring return handle | <input type="checkbox"/> Enclosure |
| <input type="checkbox"/> Lockable handle | <input type="checkbox"/> Sample cooler |
| <input type="checkbox"/> Pipe stand | <input type="checkbox"/> Exotic materials |
| <input type="checkbox"/> Block valve | <input type="checkbox"/> Larger/smaller sample size |
| <input type="checkbox"/> Flow meter | |

For more information please refer to our sheets:
Options for DOPAK® process sampler type S32-LG.
Components for DOPAK® process samplers.



Dopak Inc.
Houston, Texas 77041, USA
Phone 713-460-8311
Fax 713-460-8578
E-mail info@dopak.com

Dovianus BV
Bergschenhoek, The Netherlands
Phone +31 10 524 20 00
Fax +31 10 456 67 74
E-mail info@dopak.nl

Your local representative:

