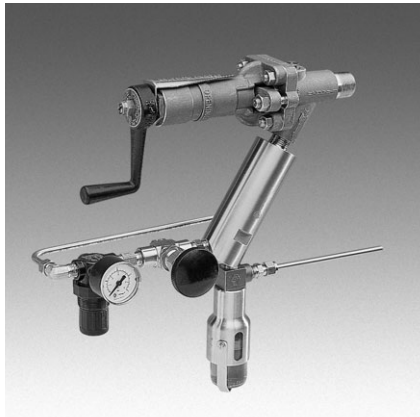
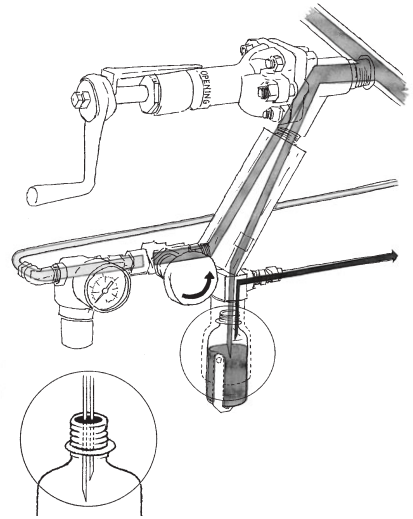


DOPAK® Process Sampler Type DPJ

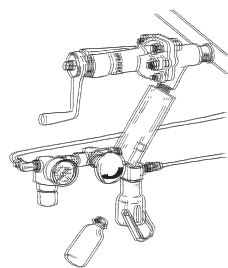
p u r g e c o n f i g u r a t i o n



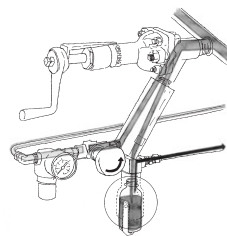
Being able to provide a jet purge adapter to a piston type sampling valve, ensures optimal retrieval of a representative, contamination free sample of high viscosity liquids. The DPJ type sampler allows purging of the sample valve outlet thus eliminating dead volume. The jet purge adapter has two flow paths. The first flow path allows the product to flow to the sample bottle and the second flow path enables the jet purge adapter to be purged with an inert gas.



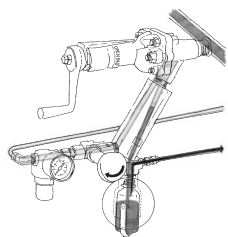
1 OPERATION/FUNCTION



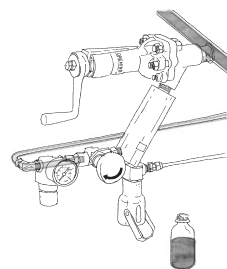
0 - off
Provide a new septum on your sample bottle. Insert the bottle, with cap and septum into the sleeve until the septum is pierced by the needles. Put the bottle retaining clip in place.



1 - sample
Open the piston valve, allowing the product to flow into the sample bottle. When the required amount has been taken, close the valve.

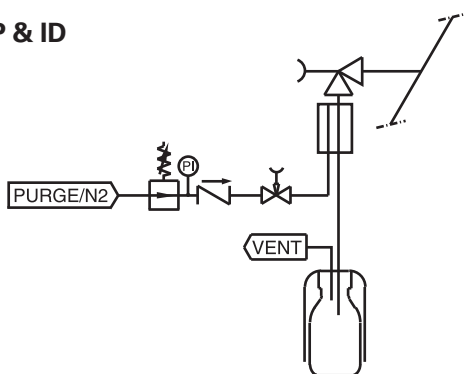


2 - needle purge
Open the valve in the purge line, allowing a flow of purge gas through the sampler to ensure any residual liquid is forced into the sample bottle. This position can be held for any required time.



3 - off
Close the valve in the purge line, remove the bottle retaining clip and pull the bottle out from the sleeve. The septum seals automatically.

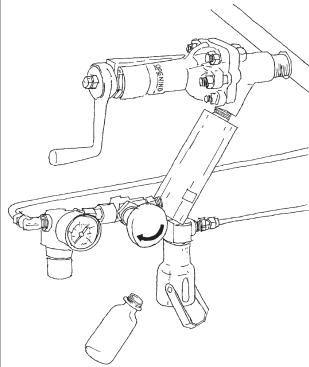
2 TYPICAL P & ID



3 FEATURES/ADVANTAGES/PROPERTIES

- | | |
|---|--|
| <input type="checkbox"/> Sampling directly under process conditions | <input type="checkbox"/> Closed sampling |
| <input type="checkbox"/> Low pressure application | <input type="checkbox"/> High viscosity sampling |
| <input type="checkbox"/> Representative sampling | <input type="checkbox"/> Purging of sampler |
| <input type="checkbox"/> Zero dead volume | <input type="checkbox"/> Retrofittable to valve |

4 BASIC SPECIFICATIONS

Material	SS316, SS316L.	
Sleeve Type	60cc sleeve with bottle retaining clip.	
Needle Assembly	Single piece VTO needle assembly with vent to outlet connection 1/4" FNPT. Process/vent needle ID:1.35 mm.	
Valve	Piston valve. PTFE seats. Pressure range ANSI B16.34. Temperature range -29/+232°C (-20/+450°F).	
Operation	Manual.	
Connections	Process: 3/4" MNPT Vent: 1/4" FNPT Purge: 1/4" FNPT, needle valve, regulator, gauge and check valve included.	

Please note: the above is a basic specification only. DOPAK® Samplers can be offered with a wide variety of options as mentioned below.

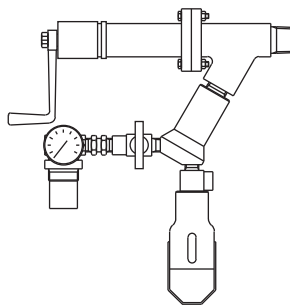
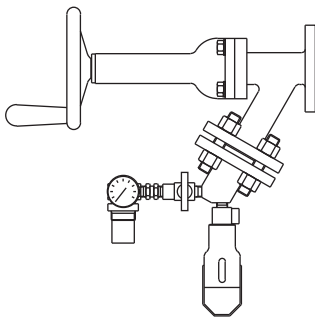
5 OPTIONS

- | | |
|---|---|
| <input type="checkbox"/> Fixed volume chamber | <input type="checkbox"/> Flow meter |
| <input type="checkbox"/> Heating/cooling jacket | <input type="checkbox"/> Enclosure |
| <input type="checkbox"/> Solvent purge facility | <input type="checkbox"/> Steam sterilising cap |
| <input type="checkbox"/> Mounting plate | <input type="checkbox"/> Mounting bracket |
| <input type="checkbox"/> Pipe stand | <input type="checkbox"/> Exotic materials |
| <input type="checkbox"/> Block valve | <input type="checkbox"/> Larger/smaller sample size |

Please refer for more information to our product sheets:

Options for DOPAK® process sampler type DPJ.

Components for DOPAK® process samplers.



Dopak Inc.
Houston, Texas 77041, USA
Phone 713-460-8311
Fax 713-460-8578
E-mail info@dopak.com

Dovianus BV
Bergschenhoek, The Netherlands
Phone +31 10 524 20 00
Fax +31 10 456 67 74
E-mail info@dopak.nl

Your local representative: